



HANSON RIVET

& SUPPLY CO.

13241 Weidner Street
Pacoima, CA 91331

Phone: 818-485-0500

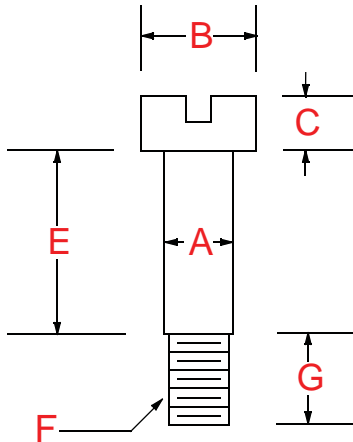
FAX: 818-485-0540

Outside CA: 1-800-RRRIVET

www.hansonrivet.com



SHOULDER SCREWS



STAINLESS SHOULDER SCREWS

PART NUMBER	HEAD STYLE	SHOULDER DIAMETER "A"	SHOULDER LENGTH "E"	THREAD SIZE "F"	TENON LENGTH "G"	HEAD DIAMETER "B"	HEAD HEIGHT "C"	MATERIAL	FINISH
8-0512-632-05	FLAT	.158	.375	6-32	.156	.250	.094	300 STAINLESS	PLAIN
8-0512-632-08	FLAT	.158	.375	6-32	.250	.250	.094	300 STAINLESS	PLAIN
8-0516-632-05	FLAT	.158	.500	6-32	.156	.250	.094	300 STAINLESS	PLAIN
8-0616-832-06	FLAT	.187	.500	8-32	.200	.315	.150	300 STAINLESS	PLAIN
8-0620-832-06	FLAT	.187	.625	8-32	.200	.315	.150	300 STAINLESS	PLAIN
8-0624-832-06	FLAT	.187	.750	8-32	.200	.315	.150	300 STAINLESS	PLAIN
8-0628-832-06	FLAT	.187	.875	8-32	.200	.315	.150	300 STAINLESS	PLAIN
8-0632-832-06	FLAT	.187	1.000	8-32	.200	.315	.150	300 STAINLESS	PLAIN
8-0640-832-06	FLAT	.187	1.250	8-32	.200	.315	.150	300 STAINLESS	PLAIN
8-0648-832-06	FLAT	.187	1.500	8-32	.200	.315	.150	300 STAINLESS	PLAIN

**We can supply other sizes and materials of shoulder screws as well as custom fasteners.
Please contact us with your requirements.**